

**GRAPAS
TIPO
HOOCK**

Product Data Sheet

SPECIFICATIONS

- Stainless steel bow Hooking on section 40x22mm
- Self-locking pressure screw M6/M8
- Stainless steel sliding pressure plate.
- SAS black P.A. fiberglass saddles

RESISTANCE TESTS

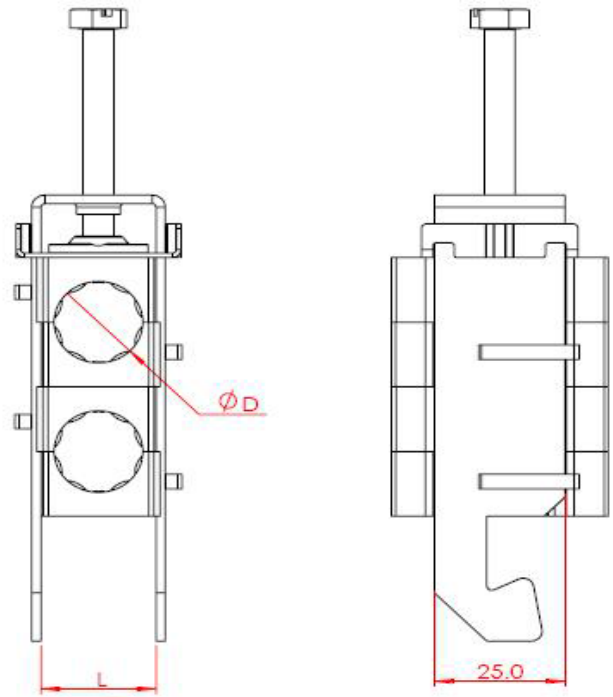
- UV Test BS-ISO 105-B06
- Neutral salt spray test ≥ 168 hours
- Vibration test conforming to UNI 60068-2-6
- Operating temperature: $-30^{\circ}\text{C} +120^{\circ}\text{C}$

PACKING INFORMATION

- Packing in boxes.
- label indicating: product code, quantity, delivery lot

INSTALLATION

- Tighten self-locking screw 1-2 Nm



CODE	DESCRIPTION	ARTIC AL	D	L
HCK SSN 1	Stainless cable clamp for 2 coaxial cables	SRF C 2X1/2 (17)	16-17	22

	Date	Drawn by	Checked by	Approved by
3				
2				
1	3-Nov-22	Allen	William	Ethan Leng



Seisen, S.L.



Product Data Sheet

SPECIFICATIONS

- Stainless steel bow Hooking on section 40x22mm
- Self-locking pressure screw M6/M8
- Stainless steel sliding pressure plate.
- SAS black P.A. fiberglass saddles

RESISTANCE TESTS

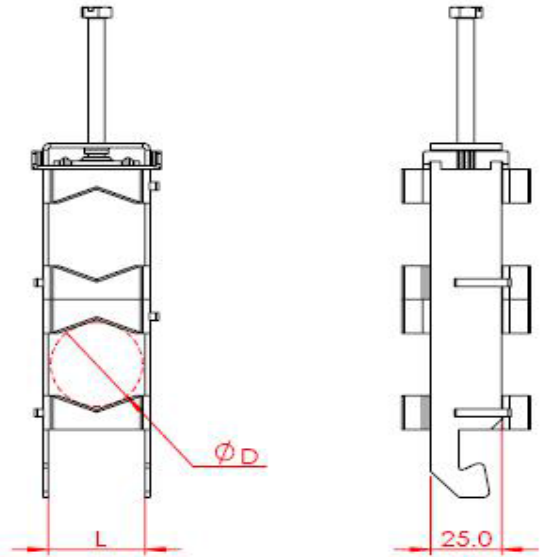
- UV Test BS-ISO 105-B06
- Neutral salt spray test ≥ 168 hours
- Vibration test conforming to UNI 60068-2-6
- Operating temperature: $-30^{\circ}\text{C} +120^{\circ}\text{C}$

PACKING INFORMATION

- Packing in boxes.
- label indicating: product code, quantity, delivery lot

INSTALLATION

- Tighten self-locking screw 1-2 Nm



CODE	DESCRIPTION	ARTIC AL	D	L
HCK SSN 2	Stainless cable clamp for 2 coaxial cables	OX C 2x22	12-22	34

	Date	Drawn by	Checked by	Approved by
3				
2				
1	3-Nov-22	Allen	William	Ethan Leng



Seisen, S.L.



Product Data Sheet

SPECIFICATIONS

- Stainless steel bow Hooking on section 40x22mm
- Self-locking pressure screw M6/M8
- Stainless steel sliding pressure plate.
- SAS black P.A. fiberglass saddles

RESISTANCE TESTS

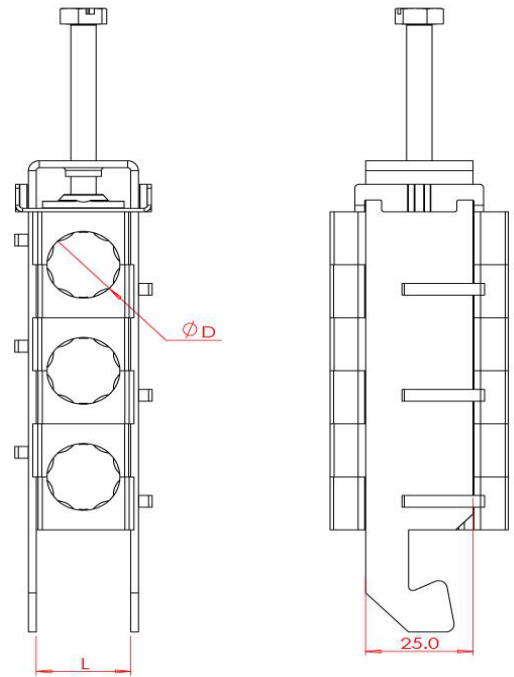
- UV Test BS-ISO 105-B06
- Neutral salt spray test ≥ 168 hours
- Vibration test conforming to UNI 60068-2-6
- Operating temperature: -30°C $+120^{\circ}\text{C}$

PACKING INFORMATION

- Packing in boxes.
- label indicating: product code, quantity, delivery lot

INSTALLATION

- Tighten self-locking screw 1-2 Nm



CODE	DESCRIPTION	ARTIC AL	D	L
HCK SSN 3	Stainless cable clamp for 3 coaxial cables	SRF C 3X1/2 (17)	16-17	22

	Date	Drawn by	Checked by	Approved by
3				
2				
1	3-Nov-22	Allen	William	Ethan Leng



Seisen, S.L.



Product Data Sheet

SPECIFICATIONS

- Stainless steel bow Hooking on section 40x22mm
- Self-locking pressure screw M6/M8
- Stainless steel sliding pressure plate.
- SAS black P.A. fiberglass saddles

RESISTANCE TESTS

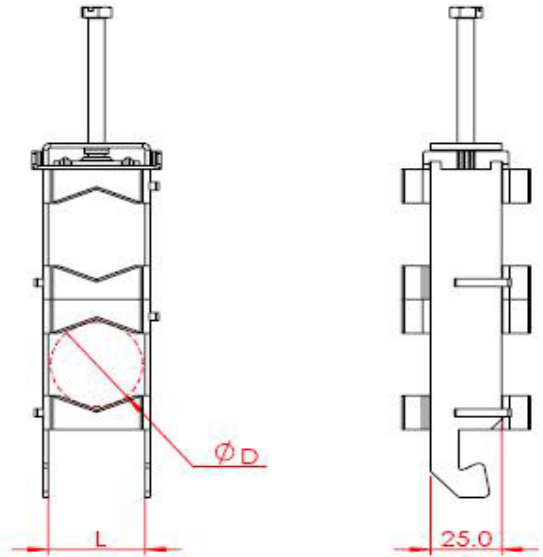
- UV Test BS-ISO 105-B06
- Neutral salt spray test ≥ 168 hours
- Vibration test conforming to UNI 60068-2-6
- Operating temperature: $-30^{\circ}\text{C} +120^{\circ}\text{C}$

PACKING INFORMATION

- Packing in boxes.
- label indicating: product code, quantity, delivery lot

INSTALLATION

- Tighten self-locking screw 1-2 Nm



CODE	DESCRIPTION	ARTIC AL	D	L
	Stainless cable clamp for 2 coaxial cables	OX C 2x12	4-12	12

	Date	Drawn by	Checked by	Approved by
3				
2				
1	3-Nov-22	Allen	William	Ethan Leng



Seisen, S.L.



Product Data Sheet

SPECIFICATIONS

- Stainless steel bow Hooking on section 40x22mm
- Self-locking pressure screw M6/M8
- Stainless steel sliding pressure plate.
- SAS black P.A. fiberglass saddles

RESISTANCE TESTS

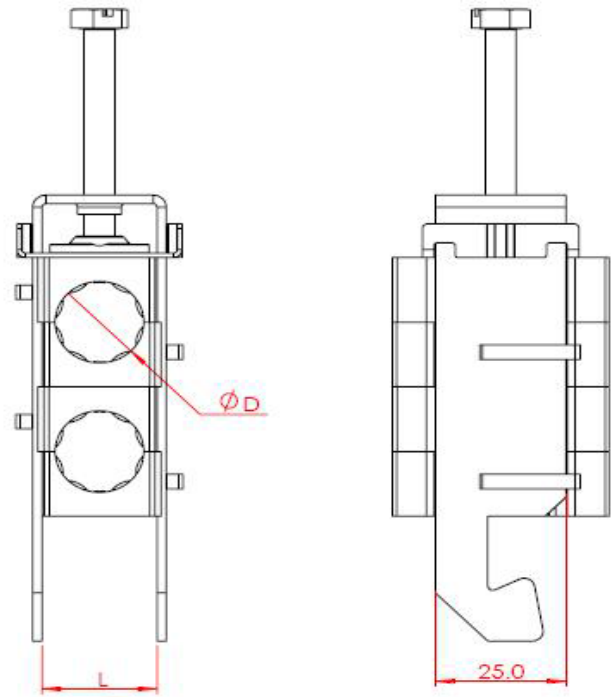
- UV Test BS-ISO 105-B06
- Neutral salt spray test ≥ 168 hours
- Vibration test conforming to UNI 60068-2-6
- Operating temperature: $-30^{\circ}\text{C} +120^{\circ}\text{C}$

PACKING INFORMATION

- Packing in boxes.
- label indicating: product code, quantity, delivery lot

INSTALLATION

- Tighten self-locking screw 1-2 Nm



CODE	DESCRIPTION	ARTIC AL	D	L
HCK SSN 5	Stainless cable clamp for 2 coaxial cables	SRF C 2X7/8 (28)	26-28	34

	Date	Drawn by	Checked by	Approved by
3				
2				
1	3-Nov-22	Allen	William	Ethan Leng



Seisen, S.L.



Product Data Sheet

SPECIFICATIONS

- Stainless steel bow Hooking on section 40x22mm
- Self-locking pressure screw M6/M8
- Stainless steel sliding pressure plate.
- SAS black P.A. fiberglass saddles

RESISTANCE TESTS

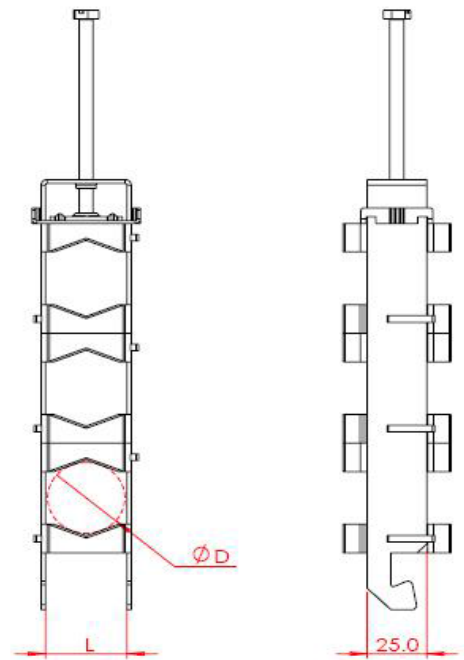
- UV Test BS-ISO 105-B06
- Neutral salt spray test ≥ 168 hours
- Vibration test conforming to UNI 60068-2-6
- Operating temperature: $-30^{\circ}\text{C} +120^{\circ}\text{C}$

PACKING INFORMATION

- Packing in boxes.
- label indicating: product code, quantity, delivery lot

INSTALLATION

- Tighten self-locking screw 1-2 Nm



CODE	DESCRIPTION	ARTIC AL	D	L
	Stainless cable clamp for 3 coaxial cables	OX C 3x12	4-12	12

	Date	Drawn by	Checked by	Approved by
3				
2				
1	3-Nov-22	Allen	William	Ethan Leng



Seisen, S.L.



Product Data Sheet

SPECIFICATIONS

- Stainless steel bow Hooking on section 40x22mm
- Self-locking pressure screw M6/M8
- Stainless steel sliding pressure plate.
- SAS black P.A. fiberglass saddles

RESISTANCE TESTS

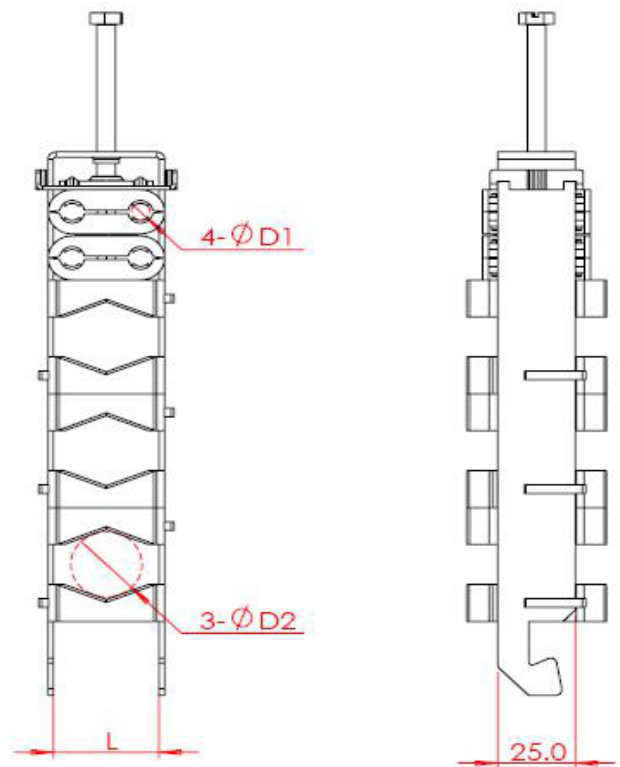
- UV Test BS-ISO 105-B06
- Neutral salt spray test ≥ 168 hours
- Vibration test conforming to UNI 60068-2-6
- Operating temperature: -30°C $+120^{\circ}\text{C}$

PACKING INFORMATION

- Packing in boxes.
- label indicating: product code, quantity, delivery lot

INSTALLATION

- Tighten self-locking screw 1-2 Nm



CODE	DESCRIPTION	ARTIC AL	D	L
HCK SSN 7	Stainless cable clamp for 3 coaxial cables and 4 FO cables	OX C/ 3x22+SAT 2x5M/2	4.5-5.5	14-22

	Date	Drawn by	Checked by	Approved by
3				
2				
1	3-Nov-22	Allen	William	Ethan Leng



Seisen, S.L.



Product Data Sheet

SPECIFICATIONS

- Stainless steel bow Hooking on section 40x22mm
- Self-locking pressure screw M6/M8
- Stainless steel sliding pressure plate.
- SAS black P.A. fiberglass saddles

RESISTANCE TESTS

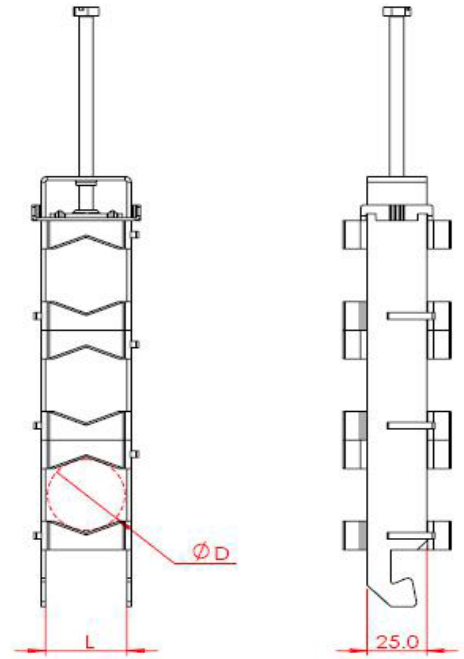
- UV Test BS-ISO 105-B06
- Neutral salt spray test ≥ 168 hours
- Vibration test conforming to UNI 60068-2-6
- Operating temperature: $-30^{\circ}\text{C} +120^{\circ}\text{C}$

PACKING INFORMATION

- Packing in boxes.
- label indicating: product code, quantity, delivery lot

INSTALLATION

- Tighten self-locking screw 1-2 Nm



CODE	DESCRIPTION	ARTIC AL	D	L
HCK SSN 8	Stainless cable clamp for 3 coaxial cables	OX C 3x22	12-22	34

	Date	Drawn by	Checked by	Approved by
3				
2				
1	3-Nov-22	Allen	William	Ethan Leng



Seisen, S.L.



Product Data Sheet

SPECIFICATIONS

- Stainless steel bow Hooking on section 40x22mm
- Self-locking pressure screw M6/M8
- Stainless steel sliding pressure plate.
- SAS black P.A. fiberglass saddles

RESISTANCE TESTS

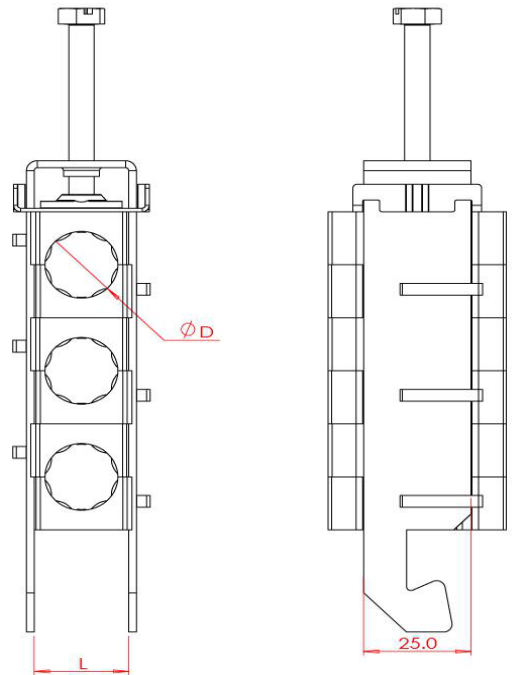
- UV Test BS-ISO 105-B06
- Neutral salt spray test ≥ 168 hours
- Vibration test conforming to UNI 60068-2-6
- Operating temperature: -30°C $+120^{\circ}\text{C}$

PACKING INFORMATION

- Packing in boxes.
- label indicating: product code, quantity, delivery lot

INSTALLATION

- Tighten self-locking screw 1-2 Nm



CODE	DESCRIPTION	ARTIC AL	D	L
HCK SSN 9	Stainless cable clamp for 3 coaxial cables	SRF C 3X7/8 (28)	26-28	34

3	Date	Drawn by	Checked by	Approved by
	<input type="text"/>	<input type="text"/>	<input type="text"/>	<input type="text"/>
2	Date	Drawn by	Checked by	Approved by
	<input type="text"/>	<input type="text"/>	<input type="text"/>	<input type="text"/>
1	Date	Drawn by	Checked by	Approved by
	3-Nov-22	Allen	William	Ethan Leng



Seisen, S.L.



Product Data Sheet

SPECIFICATIONS

- Stainless steel bow Hooking on section 40x22mm
- Self-locking pressure screw M6/M8
- Stainless steel sliding pressure plate.
- SAS black P.A. fiberglass saddles

RESISTANCE TESTS

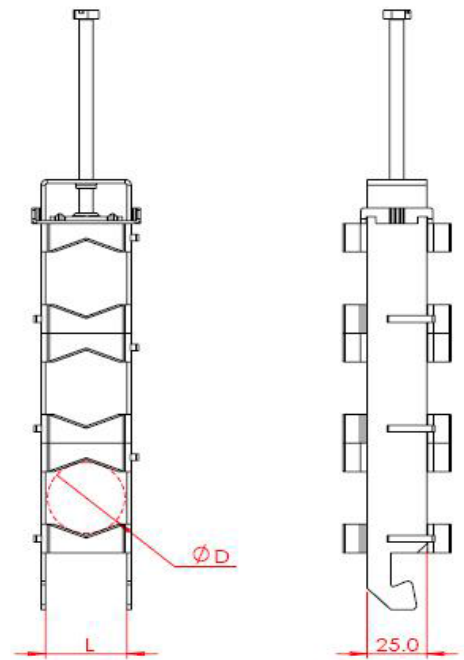
- UV Test BS-ISO 105-B06
- Neutral salt spray test ≥ 168 hours
- Vibration test conforming to UNI 60068-2-6
- Operating temperature: $-30^{\circ}\text{C} +120^{\circ}\text{C}$

PACKING INFORMATION

- Packing in boxes.
- label indicating: product code, quantity, delivery lot

INSTALLATION

- Tighten self-locking screw 1-2 Nm



CODE	DESCRIPTION	ARTIC AL	D	L
HCK SSN 10	Stainless cable clamp for 3 coaxial cables	mRF C 3x6	5-6	12

	Date	Drawn by	Checked by	Approved by
3				
2				
1	3-Nov-22	Allen	William	Ethan Leng



Seisen, S.L.

