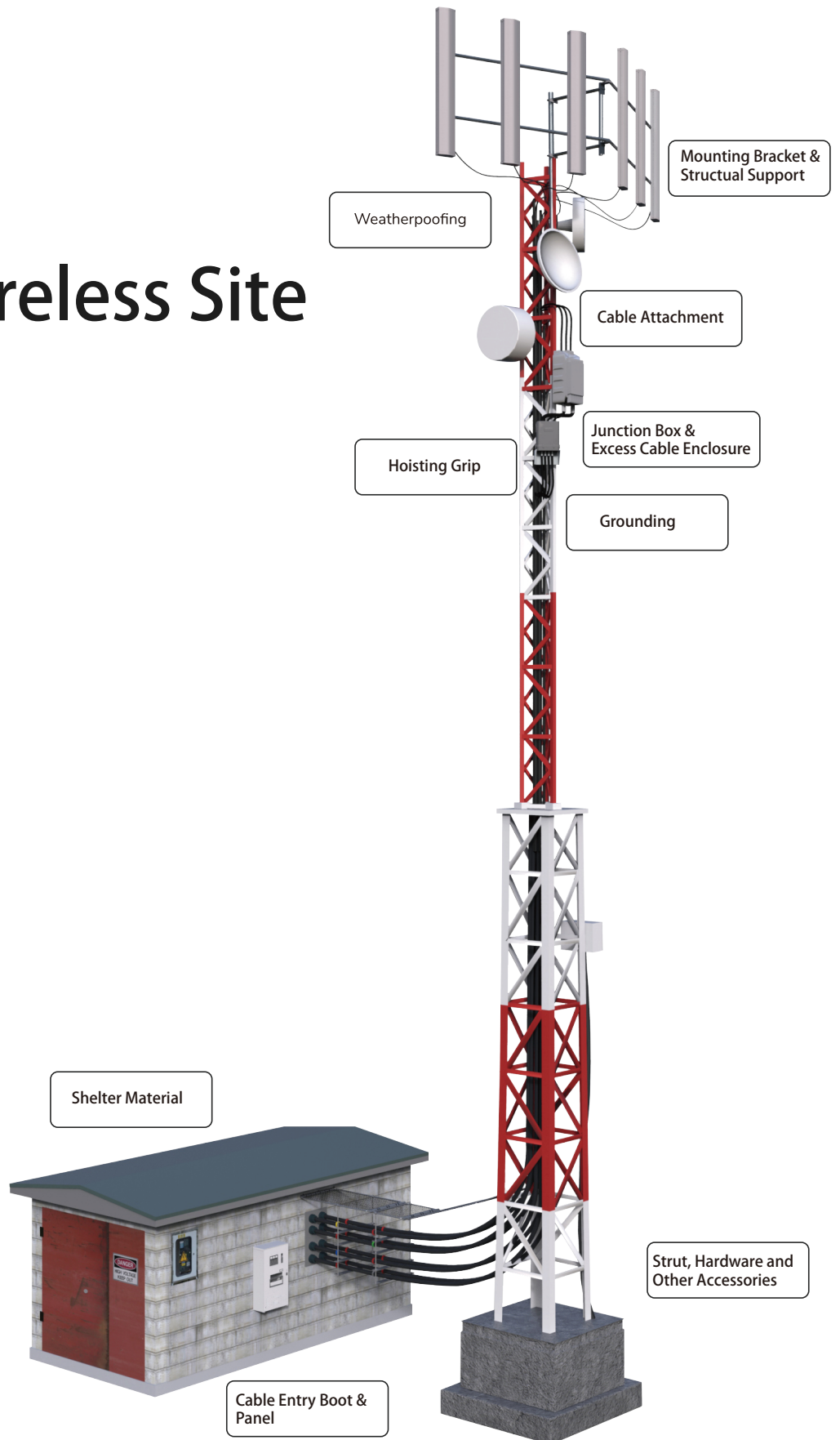


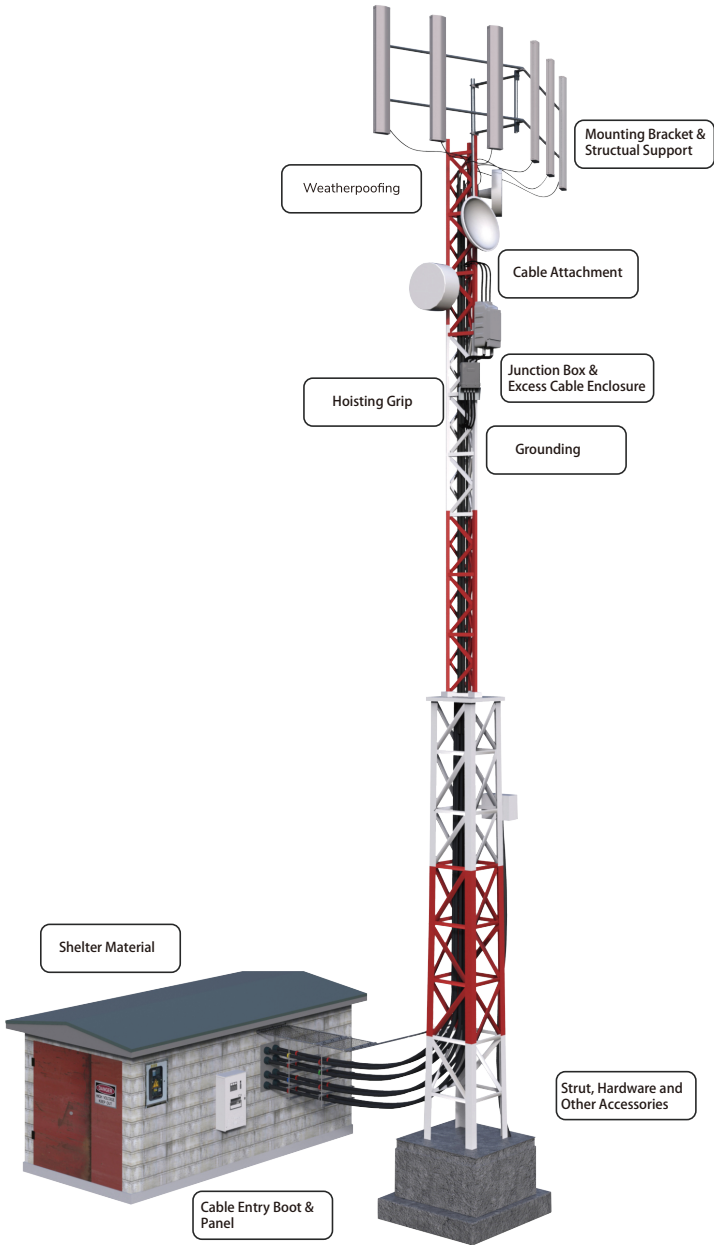


# CATALOG

## Build A Wireless Site



# Table of contents



Mounting Bracket & Structural Support

01

Cable Attachment

02

Junction Box & Excess Cable Enclosure

03

Grounding

04

Weatherproofing

05

Hoisting Grip

06

Cable Entry Boot & Panel

07

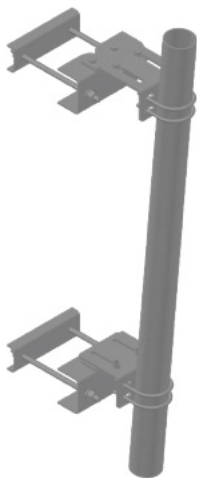
Shelter Material

08

Strut, Hardware and Other Accessories

09

## Mounting Bracket & Structural Support



### Universal Sliding Pipe Mount Kit

Used for attaching microwave antennas, UHF antennas, PCS antennas, and analog antennas to round or angle tower legs, each Kit consists of a universal saddle mount, two formed taper adjustment angles.

U-bolt design allows flexibility to secure the pipe to the saddle mount anywhere needed.

#### Function Description

Material Type	Steel
Finish	Hot Dip Galvanized
Temperature	-40--+85 °C

Item	Description	Packing
PM-SU-B	Universal Sliding Pipe Mount Kit, Pipe and U-Bolts Not Included	1pcs
PM-SU2-B	Universal Sliding Pipe Mount Kit with 1/2" x 2-1/2" x 4" U-Bolts	1pcs
PM-SU3-B	Universal Sliding Pipe Mount Kit with 1/2" x 3-5/8" x 5" U-Bolts	1pcs
PM-SU4-B	Universal Sliding Pipe Mount Kit with 1/2" x 4-5/8" x 6" U-Bolts	1pcs
PML-SU-B	Universal Sliding Pipe Mount Kit, Fits up to 16" OD or 12" Angle Members. Pipe & U-Bolts Not Included	1pcs
PML-SU4-B	Universal Sliding Pipe Mount Kit, Fits up to 16" OD or 12" Angle Members, with 1/2" x 4-5/8" x 6" U-Bolts	1pcs



### Adjustable Taper Pipe Mounts

Heavy duty adjustable taper, 0 to 15 degrees, pipe mount.

Fits 2" to 6-5/8" OD Pipe or 2-1/2" to 4-1/2" Angle.

#### Function Description

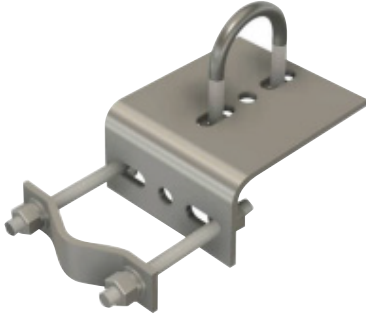
Material Type	Steel
Finish	Hot Dip Galvanized
Temperature	-40--+85 °C

Item	Description	Packing
PMAT-60	Pipe Mount, Adjustable Taper, 4-1/2" OD x 60", Fits 2" - 6-5/8" OD or 2-1/2" - 4-1/2" Angle Tower Member	1pcs
PMAT-60U	Pipe Mount, Adjustable Taper, 4-1/2" OD x 60", Fits 2" - 12" OD or 2-1/2" - 8" Angle Tower Member	1pcs

## Mounting Bracket & Structural Support

### Cross Over Angle

Crossover angle kit includes angles and U-bolts.



#### Function Description

Material Type	Steel
Finish	Hot Dip Galvanized
Temperature	-40--+85 °C

Item	Description	Packing
XA-2020	Pipe Crossover Angle, 2-3/8" OD to 2-3/8" OD	1pcs
XA-2030	Pipe Crossover Angle, 2.38 in to 2.88 in OD	1pcs
XA-U	Pipe Crossover Angle, 2 in to 3-1/2 in OD	1pcs

### Cross Over Channel Brackets

Crossover channel kit includes plate and U-bolts.

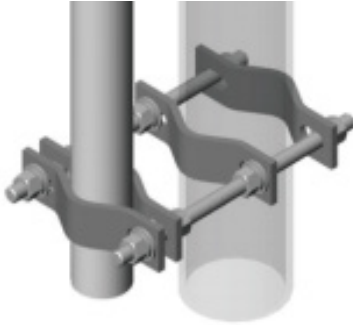


#### Function Description

Material Type	Steel
Finish	Hot Dip Galvanized
Temperature	-40--+85 °C

XP-2030-HD	Crossover Pipe Mount Clamp for 2-3/8" to 3-1/2" OD Pipes	1pcs
XP-2530-HD	Crossover Pipe Mount Clamp for 2-7/8" to 3-1/2" OD Pipes	1pcs
XP-3030-HD	Crossover Pipe Mount Clamp for 3-1/2" to 3-1/2" OD Pipes	1pcs

## Mounting Bracket & Structural Support



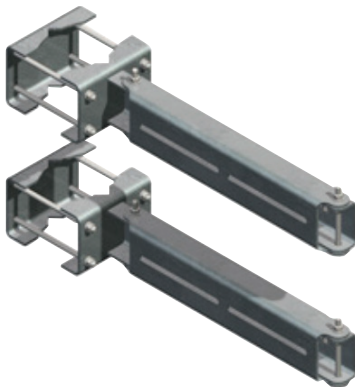
### Pipe to Pipe Clamps

Used with many Comprod antennas, include unwelded center, Straight bolt construction and two clamps.

#### Function Description

Material Type	Steel
Finish	Hot Dip Galvanized
Temperature	-40--+85 °C

Item	Description	Packing
PC-20-10	Pipe-to-Pipe Clamp, Joins 1-1/2" to 3-1/2" OD Pipe, 1/2" x 10" Threaded Rod, Light Duty	1 pcs
PC-30-10	Pipe-to-Pipe Clamp, Joins 1-1/2" to 3-1/2" OD Pipe, 1/2" x 10" Threaded Rod, Heavy Duty	1 pcs
PC-35-12	Pipe-to-Pipe Clamp, Joins 2-3/8" to 5" OD Pipe, 5/8" x 12" Threaded Rod, Heavy Duty	1 pcs
PC-35-14	Pipe-to-Pipe Clamp, Joins 2-3/8" to 5" OD Pipe, 5/8" x 14" Threaded Rod, Heavy Duty	1 pcs
PC-35-18	Pipe-to-Pipe Clamp, Joins 2-3/8" to 5" OD Pipe, 5/8" x 18" Threaded Rod, Heavy Duty	1 pcs



### RRU Mount

Used for RRU.

#### Function Description

Material Type	Steel
Finish	Hot Dip Galvanized
Temperature	-40--+85 °C

Item	Description	Packing
RRU-DSM	Dual Swivel RRU Mount, Holds 2 RRU' s	1PCS
RRH-TBHD	HD RRU Mount up to 14" OD Leg, for 4 RRU	1PCS

## Mounting Bracket & Structural Support



### GPS Mount

Used to carry a GPS unit attached to a vertical or inclined structural leg member. The support is designed with slotted holes on the back clamp for easy pre-assembling on ground. Tilttable up to 10° .

#### Function Description

Material Type	Steel
Finish	Hot Dip Galvanized
Temperature	-40--+85 °C

Item	Description	Packing
MB-GM	GPS Mount,length 410mm	1pcs



### Antenna Mount

Used on either circular, angular or box beam members, as well as on to a wall. It is also possible to mount on a utility pole. brackets provide  $\pm 30^\circ$  azimuth adjustment and the tilting of the  $\pm 30^\circ$  .

#### Function Description

Material Type	Steel
Finish	Hot Dip Galvanized
Temperature	-40--+85 °C

Item	Description	Packing
MB-ALB	AIR Light Bracket	1PCS
MB-AMB	AIR Medium Bracket	1PCS

## Mounting Bracket & Structural Support

### Steel Band



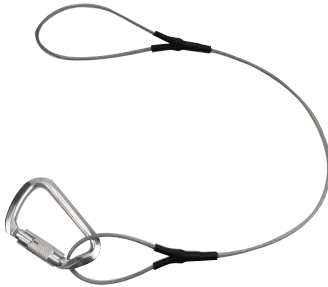
Used to fix equipment to the bracket.  
Easy to install and can be used in extreme weather condition.

#### Function Description

Material Type	SS304
Salt spray	720h
Temperature	-40--+85 °C
Certification	ROHS

Item	Description	Packing
10004364	50A-150A Steel band	1 pcs
10004365	150A-250A Steel band	1 pcs
10004367	250A-400A Steel band	1 pcs
10005139	25A-125A Steel band	1 pcs
10004363	32A-100A Steel band	1 pcs

### Safety Wire



Offer an extra protection of the equipment, avoid the falling off even in accident.  
High strength design and easy to use.

#### Function Description

Material Type	Steel
Salt spray	720h
Temperature	-40--+85 °C
Certification	UL, ROHS



Item	Description	Packing
MB-SW	Safety Wire Kit	1PCS

## Cable Attachment

### Fiber & Power Cable Clamp



It is installed on cable ladder, rung, bracket, i-beam, profile such as towers, ladders and masts at telecom site. Without additional adapters, provide sturdy, reliable, long-term support. Easy-to-install, Wind loaded, UV and corrosion resistant. Capable to working in extreme temperature.

#### Function Description

UV Resistance	720h	Metal Parts Material	SS304
Salt Spray	720h	Plastic Blocks Material	PP
Temperature	-45~+85 °C	Rubber Material	EPDM

Item	Description	Packing
10004789	10-11mm Cable Clamp	35PCS/Carton
10004910	2*10.5mm+28mm Cable Clamp	25PCS/Carton
10005123	6.3mm+13.4-17.6mm Cable Clamp	50PCS/Carton
10005122	6.3mm+22.5-25.4mm Cable Clamp	35PCS/Carton
10005074	16-23mm+2*10.5-13mm+6*4-8mm Cable Clamp	40PCS/Carton

### Single Type Feeder Clamp



It is installed on cable ladder, rung, bracket, i-beam, profile such as towers, ladders and masts at telecom site. Without additional adapters, provide sturdy, reliable, long-term support. Easy-to-install, Wind loaded, UV and corrosion resistant. Capable to working in extreme temperature.

#### Function Description

UV Resistance	720h	Metal Parts Material	SS304
Salt Spray	720h	Plastic Blocks Material	PP
Temperature	-45~+85 °C		

Item	Description	Packing
STF12	Single Type Feeder Clamp for 1/2" Coaxial Cable	Bag of 10
STF58	Single Type Feeder Clamp for 5/8" Coaxial Cable	Bag of 10
STF78	Single Type Feeder Clamp for 7/8" Coaxial Cable	Bag of 10
STF114	Single Type Feeder Clamp for 1-1/4" Coaxial Cable	Bag of 10
STF158	Single Type Feeder Clamp for 1-5/8" Coaxial Cable	Bag of 10
STF214	Single Type Feeder Clamp for 2-1/4" Coaxial Cable	Bag of 10



## Cable Attachment

02



### Snap-In Hangers

Allows cable attachment without the need for hardware.  
For use on all corrugated cables or EPDM rubber insert.  
Material: SS304.  
All edges are smooth so they will not cut the installer's hands.

#### Function Description

Material Type	SS304
Salt spray	outdoor 720h
Temperature	-40--+85 °C
Certification	ROHS

Item	Description	Packing
USH12	Universal Snap-in for 1/2" coax blocks	Bag of 10
USH58	Universal Snap-in for 5/8" coax blocks	Bag of 10
USH78	Universal Snap-in for 7/8" coax blocks	Bag of 10
USH114	Universal Snap-in for 1-1/4" coax blocks	Bag of 10
USH158	Universal Snap-in for 1-5/8" coax blocks	Bag of 10
USH214	Universal Snap-in for 2-1/4" coax blocks	Bag of 10



### Connectable Snap-In Hangers

304 Stainless Steel.  
For use on all corrugated cables.  
Heavy duty design prevents pop-outs.  
Excellent cable retention.

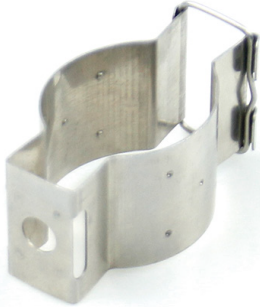
#### Function Description

Material Type	Steel
Salt spray	720h
Temperature	-40--+85 °C
Certification	ROHS



Item	Description	Packing
CSH12	Connectable Snap-In Hanger for 1/2" Coaxial Cable	Bag of 10
CSH78	Connectable Snap-In Hanger for 7/8" Coaxial Cable	Bag of 10
CSH114	Connectable Snap-In Hanger for 1-1/4" Coaxial Cable	Bag of 10
CSH158	Connectable Snap-In Hanger for 1-5/8" Coaxial Cable	Bag of 10

## Cable Attachment



### Clip-In Hangers

Attach with 3/8" hardware kits, round member adapters, angle adapters or standoff kits.  
 Locking bale for easy installation.  
 Compatible with corrugated or smooth-wall cables or elliptical waveguide.  
 Material: stainless steel.

#### Function Description

Material Type	SS304
Salt spray	outdoor 720h
Temperature	-40--+85 °C
Certification	ROHS

Item	Description	Packing
CH12	1/2" Clip-in hanger	Bag of 10
CH78	7/8" Clip-in hanger	Bag of 10
CH114	1-1/4" Clip-in hanger	Bag of 10
CH158	1-5/8" Clip-in hanger	Bag of 10



### Butterfly Hangers

Compatible with corrugated or smooth-wall cables or elliptical waveguide.  
 Slotted to allow attachment with hose clamps.  
 Hex head bolt is also slotted for use with a screw driver.  
 Material: stainless steel.

#### Function Description

Material Type	SS304
Salt spray	outdoor 720h
Temperature	-40--+85 °C
Certification	ROHS

Item	Description	Packing
BH12	1/2" Butterfly Hangers	Bag of 10
BH78	7/8" Butterfly Hangers	Bag of 10
BH114	1-1/4" Butterfly Hangers	Bag of 10
BH158	1-5/8" Butterfly Hangers	Bag of 10
BH214	2-1/4" Butterfly Hangers	Bag of 10

## Cable Attachment

02



### Single Hole Rubber Grommets

Universal fit holds cable tightly and reduces inventory needs or fit issues.

These rubber inserts fit inside Snap-In Hangers, Butterfly Hangers, or Cable Blocks for easy installation.

UV-resistant EPDM rubber which is durable in extreme conditions.

---

#### Function Description

Material Type	EPDM
UV resistance	720h
Temperature	-40--+85 °C
Certification	ROHS

---

Item	Description	Packing
HI-57-12	1/2" Insert and One 5-7mm Hole	Bag of 10
HI-79-12	1/2" Insert and One 7-9mm Hole	Bag of 10
HI-1012-12	1/2" Insert and One 10-12mm Hole	Bag of 10
HI-0711-78	7/8" Insert and One 7-11mm Hole	Bag of 10
HI-1117-78	7/8" Insert and One 11-17mm Hole	Bag of 10
HI-0711-114	1-1/4" Insert and One 7-11mm Hole	Bag of 10
HI-1117-114	1-1/4" Insert and One 11-17mm Hole	Bag of 10
HI-1720-114	1-1/4" Insert and One 17-20mm Hole	Bag of 10
HI-1823-114	1-1/4" Insert and One 18-23mm Hole	Bag of 10
HI-2430-114	1-1/4" Insert and One 24-30mm Hole	Bag of 10
HI-2431-158	1-5/8" Insert and One 24-31mm Hole	Bag of 10
HI-2628-158	1-5/8" Insert and One 26-28mm Hole	Bag of 10
HI-3436-158	1-5/8" Insert and One 34-36mm Hole	Bag of 10
HI-3032-158	1-5/8" Insert and One 30-32mm Hole	Bag of 10

## Cable Attachment



### Multi Hole Rubber Grommets

Universal fit holds cable tightly and reduces inventory needs or fit issues.

These rubber inserts fit inside Snap-In Hangers, Butterfly Hangers, or Cable Blocks for easy installation.

UV-resistant EPDM rubber which is durable in extreme conditions.

#### Function Description

Material Type	EPDM
UV resistance	720h
Temperature	-40--+85 °C
Certification	ROHS

Item	Description	Packing
MBC1410	(10)1/4" SF & LMR240,used with 1-5/8" hanger	Bag of 10
MBC387	(7)LMR-400,3/8" Flex,RG11U,used with 1-5/8" hanger	Bag of 10
MBC124	(4)1/2" Coax,used with 1-5/8" hanger	Bag of 10
MBC582	(2)LMR-900 & 5/8" Coax,used with 1-5/8" hanger	Bag of 10
MBC144582	(4)1/4" SF / LMR240,(2)LMR-900,5/8" Coax,used with 2-1/4" hanger	Bag of 10 Bag of 10
MBC144122	(4)1/4" SF & LMR240,(2)1/2" Coax,5/8" Coax,used with 1-5/8" hanger	Bag of 10
MBC384122	(4)LMR400,3/8" Flex & RG11U,(2)1/2" Coax,5/8" Coax,used with 1-5/8" hanger	Bag of 10
MBC144384	(4)1/4" SF,LMR240(4)LMR-400,3/8" Flex,RG11U,used with 1-5/8" hanger	Bag of 10

## Cable Attachment

02



### Universal Snap-In Angle Adapters

Extra wide 1' ' opening for versatility.

3/4' ' holes accept Snap-in Hangers.

Material: stainless steel or galvanized.

Include 3/8"X1-3/4" SS Square head bolt.

#### Function Description

Material Type	SS304
Salt spray	outdoor 720h
Temperature	-40--+85 °C
Certification	ROHS

Item	Description	Packing
UA3	Angle Adapter Stainless Steel with 3/4' ' tapped holes	Bag of 10
UA3-G	Angle Adapter Galvanized Steel with 3/4' ' tapped holes	Bag of 10



### 3/8" Hole Angle Adapters

3/8"tapped holes accept Butterfly Hangers or Threaded Rods.

Material: stainless steel or galvanized.

Hardware Kit included.

Can be used indoors or outdoors.

#### Function Description

Material Type	SS304
Salt spray	outdoor 720h
Temperature	-40--+85 °C
Certification	ROHS

Item	Description	Packing
AAST38	Angle Adapter SS with 3/8" tapped holes	Bag of 10
AAGA38	Angle Adapter Galvanized with 3/8" tapped holes	Bag of 10

## Cable Attachment



### Mini Angle Adapters

Extra wide 5/8" opening for versatility.  
One 5/16" tapped hole and two 3/8" tapped hole.  
Material: stainless steel.

#### Function Description

Material Type	SS304
Salt spray	outdoor 720h
Temperature	-40--+85 °C
Certification	ROHS

Item	Description	Packing
MAA38	Mini Angle adapter with 3/8" hole	Bag of 10



### Universal Angle Adapters

3/4"holes accept Snap-in Hangers.  
Material: stainless steel or galvanized.  
The insert washers convert the 3/4"holes to threaded 3/8"holes.  
Can be used indoors or outdoors.

#### Function Description

Material Type	SS304
Salt spray	outdoor 720h
Temperature	-40--+85 °C
Certification	ROHS

Item	Description	Packing
AAUST	Universal Angle Adapter SS for Snap-In Hanger(Includes Insert)	Bag of 10
AAUGA	Universal Angle Adapter galvanized for Snap-In Hanger(Includes Insert)	Bag of 10

## Cable Attachment

02



### Universal Adapter Insert

Transitions a 3/4" hole to a 3/8" threaded hole.  
Can be used with Angle or Standoff Adapters.  
Allow to use of Butterfly hangers or Threaded Rods.

#### Function Description

Material Type	SS304
Salt spray	outdoor 720h
Temperature	-40--+85 °C
Certification	ROHS

Item	Description	Packing
HUAI	Universal Angle Adapter Insert	Bag of 10

### Snap-In Stand Off Adapters

Allows attachment of coax support hardware to round members.  
3/4" hole for use with Stackable Snap-In Hangers and Universal Snap-In.  
Mount with 1" standoff or larger members.



#### Function Description

Material Type	SS304
Salt spray	outdoor 720h
Temperature	-40--+85 °C
Certification	ROHS

Item	Description	Packing
SOA34	Stand-off adapter with 3/4" holes	Bag of 10
SOA342030	3/4" hole Stand-off adapter with 2"-3" clamp	Bag of 10
SOA343050	3/4" hole Stand-off adapter with 3"-5" clamp	Bag of 10
SOA345060	3/4" hole Stand-off adapter with 5"-6" clamp	Bag of 10

## Cable Attachment



### 3/8" Hole Stand Off Adapters

Allows attachment of coax support hardware to round members.

3/8"tapped hole for use with Butterfly Hangers, Coax Blocks and Cushion Hangers.

Mount with 1"OD standoff or larger members.

#### Function Description

Material Type	SS304
Salt spray	outdoor 720h
Temperature	-40--+85 °C
Certification	ROHS

Item	Description	Packing
SOA38	Stand-off adapter with 3/8 tapped holes	Bag of 10
SOA382030	3/8"tapped hole Stand-off adapter with 2-3"clamp	Bag of 10
SOA383050	3/8"tapped hole Stand-off adapter with 3-5"clamp	Bag of 10
SOA385060	3/8"tapped hole Stand-off adapter with 5-6"clamp	Bag of 10



### Low Profile Stand Off Adapters

Allows attachment of coax support hardware to round members.

Can be used indoors or outdoors.

#### Function Description

Material Type	SS304
Salt spray	outdoor 720h
Temperature	-40--+85 °C
Certification	ROHS

Item	Description	Packing
SOAL38	Low profile 3/8" hole standoff adapter	Bag of 10
SOAL34	Low profile 3/4" hole standoff adapter	Bag of 10



## Cable Attachment

02



### 3-Way Stand Off Adapters

Can be used with Snap-in hangers, Round Members.  
Three 3/4" mounting holes. Maximum load is six 1-5/8" cables.  
Can be used indoors or outdoors.

---

#### Function Description

Material Type	SS304
Salt spray	outdoor 720h
Temperature	-40--+85 °C
Certification	ROHS

---

Item	Description	Packing
USO-34	Three-way snap-in stand-off adapter,(3) 3/4" Hole	Bag of 10
USO-R230	Three-way snap-in stand-off adapter for 2-3" Round Members	Bag of 10
USO-R340	Three-way snap-in stand-off adapter for 3-4" Round Members	Bag of 10



### Clamp Heads

Mount with Cushion Hangers or Butterfly Hangers.  
Slot accepts 1/2" banding or hose clamps.  
Can be used in doors or outdoors.

---

#### Function Description

Material Type	SS304
Salt spray	outdoor 720h
Temperature	-40--+85 °C
Certification	ROHS

---

Item	Description	Packing
CPHD	Clamp head	Bag of 10

## Cable Attachment



### Plastic Box

Used in electronics communications, fire fighting apparatus, control panel terminals boxes, public accommodation, ship industry etc.

#### Function Description

Material Type	ABS
Temperature	-40--+85 °C
Waterproof	IP67
Certification	ROHS

Item	Description	Packing
10005348	Plactic box 100X100X50	1pcs
10004590	Plactic box 500X400X200	1pcs

## Cable Attachment

02



### Color Coded Cuffs

UV resistant cable identification clips are available in a wide variety of colors. Design enables easy, one-handed installation with no additional tools required.

**Easily and safely installs.**

No tools required.

**Reusable and adjustable.**

Flexible design to fit a variety of cables.

Allows for thermal expansion and contraction without loosening.

Durable design, will not peel off.

Can be installed over factory labels while leaving factory information visible.

---

### Function Description

Material Type	PC
UV resistance	720h
Temperature	-40--+85 °C
Certification	ROHS

Item	Description	Packing
CCC-BLUE	Color Coded Cuffs, Blue	Bag of 100
CCC-BROWN	Color Coded Cuffs, Brown	Bag of 100
CCC-GREEN	Color Coded Cuffs, Green	Bag of 100
CCC-ORANGE	Color Coded Cuffs, Orange	Bag of 100
CCC-RED	Color Coded Cuffs, Red	Bag of 100
CCC-SLATE	Color Coded Cuffs, Slate	Bag of 100
CCC-VIOLET	Color Coded Cuffs, Violet	Bag of 100
CCC-WHITE	Color Coded Cuffs, White	Bag of 100
CCC-YELLOW	Color Coded Cuffs, Yellow	Bag of 100

## Cable Attachment



### Hose Clamps

Attached with Butterfly Hangers, Clip-in hangers, Cushion hangers, Angle Adapter or Tower Stand-off kits.  
Can be used indoors or outdoors.

#### Function Description

Material Type	Steel
Salt spray	720h
Temperature	-40--+85 °C
Certification	ROHS

Item	Description	Packing
RM-A100	Stainless Steel Hose Clamps, 1"-2"	Bag of 10
RM-A200	Stainless Steel Hose Clamps, 2"-3"	Bag of 10
RM-A210	Stainless Steel Hose Clamps, 2"-10"	Bag of 10
RM-A260	Stainless Steel Hose Clamps, 2"-6"	Bag of 10
RM-A280	Stainless Steel Hose Clamps, 2"-8"	Bag of 10
RM-A300	Stainless Steel Hose Clamps, 3"-4"	Bag of 10
RM-A350	Stainless Steel Hose Clamps, 3"-5"	Bag of 10
RM-A500	Stainless Steel Hose Clamps, 5"-6"	Bag of 10
RM-A680	Stainless Steel Hose Clamps, 6"-8"	Bag of 10
RM-A1012	Stainless Steel Hose Clamps, 10"-12"	Bag of 10
RM-A400	Stainless Steel Hose Clamps, 4"-5"	Bag of 10



### UV Black Zip Ties

A cable fastening device provides strong support for positioning cable and pipe bundles. The design of its head guarantees a high tensile strength while allowing a very low insertion force. Products are available in a wide range of materials and colors.

#### Function Description

Material Type	PA6/PA66
UV resistance	720h
Temperature	-40--+85 °C
Certification	UL,ROHS



Item	Description	Packing
ZT-5x180	180mm x 4.5mm x 1.2mm (7" ) 50lb. Test	Bag of 100
ZT-5x280	280mm x 4.5mm x 1.2mm (11" ) 50lb. Test	Bag of 100
ZT-5x350	350mm x 4.5mm x 1.2mm (14" ) 50lb. Test	Bag of 100
ZT-5x430	430mm x 4.7mm x 1.3mm (17" ) 50lb. Test	Bag of 100
ZT-8x400	400mm x 7.5mm x 1.45mm (14" ) 120lb. Test	Bag of 100
ZT-8x450	450mm x 7.5mm x 1.45mm (18" ) 120lb. Test	Bag of 100
ZT-8x609	609mm x 8.76mm x 1.45mm (24" ) 175lb. Test	Bag of 100

## Cable Attachment

02



### Stainless Steel Zip Ties

Stainless Steel Zip Ties are ideal for bundling wires or hoses in demanding applications where corrosion, vibration, general weathering, radiation, and temperature extremes are a concern. Commonly used in industries such as mining, pulping, and chemical plants. Made with Flame retardant Grade 304 stainless steel.

These metal cable ties are designed with an easy to install, low profile, self-locking ball bearing head.

#### Function Description

Material Type	Steel
Salt spray	720h
Temperature	-40--+85 °C
Certification	UL,ROHS



Item	Description	Packing
L3-ZT-SS-7	Stainless Steel Zip Ties 203mm x 4.5mm x 0.25mm ( 26" x 3/16" )	Bag of 100
L3-ZT-SS-14	Stainless Steel Zip Ties 355mm x 4.5mm x 0.25mm ( 14" x 3/16" )	Bag of 100
L3-ZT-SS-26	Stainless Steel Zip Ties 660mm x 8mm x 0.25mm ( 26" x 3/16" )	Bag of 100



### Coax Blocks

Manufactured from glass-filled polypropylene.

For long-term UV resistance.

Interior ribs, combined with increased width, supply superior cable retention.

#### Function Description

Material	PP
UV resistance	720h
Temperature	-40--+85 °C
Certification	ROHS

Item	Description	Packing
CB-38	3/8" Coax Support Block	Bag of 10
CB-12	1/2" Coax Support Block	Bag of 10
CB-58	5/8" Coax Support Block	Bag of 10
CB-78	7/8" Coax Support Block	Bag of 10
CB-114	1-1/4" Coax Support Block	Bag of 10
CB-158	1-5/8" Coax Support Block	Bag of 10
CB-214	2-1/4" Coax Support Block	Bag of 10

# Cable Attachment



## PIM 3 Way Stand-Off Adapter

3 Way Stand-Off Adapter provide three attachment points for snap-in hangers and snap-in blocks. Eliminates a common source of PIM.

Manufactured from weather resistant polyamide.

3/4" thru hole attachment point.

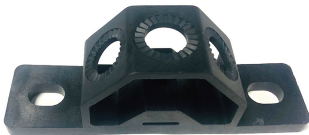
3/8" threaded rod mounting capability.

Compatible with 1/2" banding.

### Function Description

Material	PA6
UV resistance	720h
Temperature	-40--+85 °C
Certification	ROHS

Item	Description	Packing
SO3SPIM	PIM Mitigation 3 Way Stand-Off Adapter (3, 3/4" thru hole attachment points)	Bag of 10



## PIM 3 Way Stand-Off Adapter 3/8" Mounting

3 Way Stand-Off Adapter provide three attachment points for snap-in hangers and snap-in blocks. Eliminates a common source of PIM.

Manufactured from weather resistant polyamida.

3/4" thru hole attachment point.

3/8" threaded rod mounting capability.

Bolts with 3/8" mounting hardware.

### Function Description

Material	PA6
UV resistance	720h
Temperature	-40--+85 °C
Certification	ROHS

Item	Description	Packing
SO3S38PIM	PIM Mitigation 3 Way Stand-Off Adapter (3, 3/4" thru hole attachment points) 3/8" Mounting	Bag of 10

## Cable Attachment

02



### PIM Stand-Off Adapter

Stand-Off Adapters provide an attachment point for snap-in hangers and snap-in blocks. Eliminates a common source of PIM.

Manufactured from weather resistant polyamide.

3/4" thru hole attachment point.

3/8" threaded rod mounting capability.

Compatible with 1/2" banding.

---

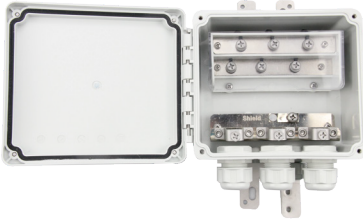
### Function Description

Material	PA6
UV resistance	720h
Temperature	-40--+85 °C
Certification	ROHS

---

Item	Description	Packing
SOPIM	PIM Mitigation Stand-Off Adapter (3/4" thru hole or 3/8" attachment point)	Bag of 10

## Junction Box & Excess Cable Enclosure



### Junction Box

Offer a junction from external power equipment to RRU, especially if there is long distance power supply or the power supply cable is different.

#### Function Description

Material Type	PC
Salt spray	outdoor 720h
UV resistance	720h
Waterproof	IP67
Temperature	-40--+85 °C
Certification	UL,ROHS



Item	Description	Packing
10004871	DC junction BOX	1 pcs



### FAT (fiber access termination ) Box

Fiber access termination box is used as a termination point for the feeder cable to connect with drop cable in FTTx communication network system.

#### Function Description

Material Type	ABS
Temperature	-40--+85 °C
Waterproof	IP67
Certification	ROHS

Item	Description	Packing
10005564	Fat box	1 pcs



### Outdoor Excess Cable Enclosure

Outdoor excess cable enclosure. Accepts maximum 30m of excess fiber trunk cable. These Fiber Optic Enclosures are designed to work in a variety of applications from rack mount to wall mount in 12 to 72 port configurations.

#### Function Description

Material Type	AL
Temperature	-40--+85 °C
Certification	ROHS

Item	Description	Packing
FE-18184	18" x 18" x 4" AL box	1 pcs



## Grounding



### Universal Grounding Kits

The grounding kit is designed the copper braided strap over the outer conductor to provide reliable lightning protection.

Universal grounding kit suitable for various cable sizes.  
The re-formed braided strap allows for easy installation.

#### Function Description

Waterproofing	IP67
Temperature	-40--+85 °C
Salt spray	720h
UV resistance	720h
Certification	ROHS

Item	Description
UGK	M8, 3/8" Universal Grounding Kit

04



### Clip – On Grounding Kits

The grounding kit is designed the copper spring clip to provide reliable lightning protection.

Can provide several type of cables, such as 1/2" ,7/8"1/4", 1-5/8" .  
Faster and easy installation.

#### Function Description

Waterproofing	IP67
Temperature	-40--+85 °C
Salt spray	720h
UV resistance	720h
Certification	ROHS

Item	Description
COGK	Clip – On Grounding Kit for 1/2", 3/8", 1/25", 7/8", 1-1/4", 1-5/8", 2-1/4" Cables

# Grounding



## Framework Grounding Kits

Framework type grounding kit is compact design for outdoor coaxial cables' s (corrugated or braid) grounding. With Tinned copper strip & butyl seal.  
Compact structure.  
Faster and easy installation.

### Function Description

Waterproofing	IP67
Temperature	-40--+85 °C
Salt spray	720h
UV resistance	720h
Certification	ROHS

Item	Description
FGK	Framework Grounding Kit for 1/4", 1/2", 3/8", 1/2", 7/8", 1-1/4", 1-5/8", 7.2-7.6 Cables

04



## Copper Strap Type Grounding Kits

The grounding kit is designed the copper strap over the outer conductor to provide reliable lightning protection. Can provide several type of cables, such as 1/2" ,7/8" ,1-1/4" ,1-5/8" .  
Faster and easy installation.

### Function Description

Waterproofing	IP67
Temperature	-40--+85 °C
Salt spray	720h
UV resistance	720h
Certification	ROHS

Item	Description
CSTGK	Grounding Kit for 1/2" to 3" coax cables

## Grounding



### Small Standard Grounding Kits

Compact structure.  
Fast and easy installation.  
No loose parts.

---

#### Function Description

Waterproofing	IP67
Temperature	-40--+85 °C
Salt spray	720h
UV resistance	720h
Certification	ROHS

---

Item	Description
SGK	Standard Grounding Kit for 1/4", 3/8" Cables

---

# Grounding



## Standard Grounding Kits

The Standard Ground Kit utilizes a mechanically attached ground strap. The ground strap incorporates an expansion rib which eliminates any concern of over tightening.

Large contact surface area.

Expansion rib prevents over tightening.

### Function Description

Waterproofing	IP67
Temperature	-40--+85 °C
Salt spray	720h
UV resistance	720h
Certification	ROHS

Item	Description
GST38	Standard Ground Kit for 3/8" Coaxial Cable
GST38T	Standard Ground Kit for 3/8" Coaxial Cable (Tinned)
GST12	Standard Ground Kit for 1/2" Coaxial Cable
GST12T	Standard Ground Kit for 1/2" Coaxial Cable (Tinned)
GST58	Standard Ground Kit for 5/8" Coaxial Cable
GST58T	Standard Ground Kit for 5/8" Coaxial Cable (Tinned)
GST78	Standard Ground Kit for 7/8" Coaxial Cable
GST78T	Standard Ground Kit for 7/8" Coaxial Cable (Tinned)
GST114	Standard Ground Kit for 1-1/4" Coaxial Cable
GST114T	Standard Ground Kit for 1-1/4" Coaxial Cable (Tinned)
GST158	Standard Ground Kit for 1-5/8" Coaxial Cable
GST158T	Standard Ground Kit for 1-5/8" Coaxial Cable (Tinned)
GST214	Standard Ground Kit for 2-1/4" Coaxial Cable
GST214T	Standard Ground Kit for 2-1/4" Coaxial Cable (Tinned)

## Grounding



### Twine Type Grounding Kits

For coaxial cables and elliptical or rectangular waveguides.

Only five items for the whole cable range.

Easy to handle, safe, quick to install.

Complete with connecting cable

#### Function Description

Waterproofing	IP67
Temperature	-40--+85 °C
Salt spray	720h
UV resistance	720h
Certification	ROHS

Item	Description
UGK	Grounding Kit for 1/4", 1/2", 3/8", 1/2", 7/8", 1-1/4", 1-5/8", 7.2-7.6 Cables



### Gemel T Type Grounding Kits

For Copper or Aluminum corrugated coaxial Cables.

Parallel cable exit.

#### Function Description

Waterproofing	IP67
Temperature	-40--+85 °C
Salt spray	720h
UV resistance	720h
Certification	ROHS

Item	Description
TTGK	T Type Grounding Kit for 1/4", 1/2", 3/8", 7/8", 1-1/4", 1-5/8" Cables

# Grounding



## LEK Type Grounding Kits

- Compact structure.
- Fast and easy installation.
- Closure with two screws.
- No loose parts.
- No extra taping needed.

### Function Description

Waterproofing	IP67
Temperature	-40--+85 °C
Salt spray	720h
UV resistance	720h
Certification	ROHS

Item	Description
LEK12	Waterproof Ground Kit for 1/2" Coaxial Cable
LEK78	Waterproof Ground Kit for 7/8" Coaxial Cable
LEK114	Waterproof Ground Kit for 1-1/4" Coaxial Cable
LEK158	Waterproof Ground Kit for 1-5/8" Coaxial Cable

04

## Universal Lugs with Inspection Window



Copper lugs are connecting devices used primarily for terminating and joining cable and wire conductors in electrical installations and equipment.

Manufactured from high conductivity copper which is tin plated to prevent corrosion.

These lugs are used for severe-duty applications and have thicker walls for greater strength and conductivity.

UL Listed and CSA certified.

Customized labels, color printing, size and so on.

### Function Description

Material	Tinned copper
Temperature	-40--+85 °C
Salt spray	720h
UV resistance	720h
Certification	UL



Item	Gauge	Stud Size	Hole Spacing	Color Code
i62-38U	#6	3/8" Slotted	3/4" -1"	Blue
i252-38U	2 Solid, #3, #4	3/8" Slotted	3/4" -1"	Grey
i22-38U	#2	3/8" Slotted	3/4" -1"	Brown
i1410-14U	#14-#10	1/4"		Yellow

## Grounding



### Universal Lugs No Inspection Window

Copper lugs are connecting devices used primarily for terminating and joining cable and wire conductors in electrical installations and equipment.

Manufactured from high conductivity copper which is tin plated to prevent corrosion.

These lugs are used for severe-duty applications and have thicker walls for greater strength and conductivity.

UL Listed and CSA certified.

Customized labels, color printing, size and so on.

#### Function Description

Material	Tinned copper
Temperature	-40--+85 °C
Salt spray	720h
UV resistance	720h
Certification	UL



Item	Gauge	Stud Size	Hole Spacing	Color Code
62-38U	#6	3/8" Slotted	3/4" -1"	Blue
2S2-38U	2 Solid, #3, #4	3/8" Slotted	3/4" -1"	Grey
22-38U	#2	3/8" Slotted	3/4" -1"	Brown

04



### One Hole Lugs with Inspection Window

Copper lugs are connecting devices used primarily for terminating and joining cable and wire conductors in electrical installations and equipment.

Manufactured from high conductivity copper which is tin plated to prevent corrosion.

These lugs are used for severe-duty applications and have thicker walls for greater strength and conductivity.

UL Listed and CSA certified.

Customized labels, color printing, size and so on.

#### Function Description

Material	Tinned copper
Temperature	-40--+85 °C
Salt spray	720h
UV resistance	720h
Certification	UL



Item	Gauge	Stud Size	Color Code
i8-14	#8	1/4"	Red
i6-14	#6	1/4"	Blue
i6-38	#6	3/8"	Blue
i1410	#14-#10	1/4"	Yellow
i2S-38	2 Solid, #3, #4	3/8"	Grey
i2-14	#2	1/4"	Brown
i2-516	#2	5/16"	Brown
i2-38	#2	3/8"	Brown

# Grounding



## Two Hole Lugs with Inspection Window

Copper lugs are connecting devices used primarily for terminating and joining cable and wire conductors in electrical installations and equipment.

Manufactured from high conductivity copper which is tin plated to prevent corrosion.

These lugs are used for severe-duty applications and have thicker walls for greater strength and conductivity.

UL Listed and CSA certified.

Customized labels, color printing, size and so on.

### Function Description

Material	Tinned copper
Temperature	-40--+85 °C
Salt spray	720h
UV resistance	720h
Certification	UL



Item	Gauge	Stud Size	Hole Spacing	Color Code
i1410-14	#14-#10	1/4"	5/8" (.625)	Yellow
i1410-25-1	#14-#10	1/4"	1"	Yellow
i1410-38-1	#14-#10	3/8"	1"	Yellow
i82-10	#8	#10	5/8" (.625)	Red
i82-14	#8	1/4"	5/8" (.625)	Red
i62-14	#6	1/4"	5/8" (.625)	Blue
i62-25-1	#6	1/4"	1"	Blue
i62-38-1	#6	3/8"	1"	Blue
i252-14	2 Solid, #3, #4	1/4"	5/8" (.625)	Grey
i252-38-1	2 Solid, #3, #4	3/8"	1"	Grey
i22-14	#2	1/4"	5/8" (.625)	Brown
i22-34	#2	1/4"	3/4" (.75)	Brown
i22-25-1	#2	1/4"	1"	Brown
i22-38-1	#2	3/8"	1"	Brown



## Grounding



### Two Hole Lugs No Inspection Window

Copper lugs are connecting devices used primarily for terminating and joining cable and wire conductors in electrical installations and equipment.

Manufactured from high conductivity copper which is tin plated to prevent corrosion.

These lugs are used for severe-duty applications and have thicker walls for greater strength and conductivity.

UL Listed and CSA certified.

Customized labels, color printing, size and so on.

#### Function Description

Material	Tinned copper
Temperature	-40--+85 °C
Salt spray	720h
UV resistance	720h
Certification	UL



Item	Gauge	Stud Size	Hole Spacing	Color Code
1410-14	#14-#10	1/4"	5/8" (.625)	Yellow
1410-25-1	#14-#10	1/4"	1"	Yellow
1410-38-1	#14-#10	3/8"	1"	Yellow
82-14	#8	1/4"	5/8" (.625)	Red
82-10	#8	#10	5/8" (.625)	Red
62-14	#6	1/4"	5/8" (.625)	Blue
62-34	#6	1/4"	3/4" (.75)	Blue
62-25-1	#6	1/4"	1"	Blue
62-38-1	#6	3/8"	1"	Blue
2S2-14	2 Solid, #3, #4	1/4"	5/8" (.625)	Grey
2S2-38-1	2 Solid, #3, #4	3/8"	1"	Grey
22-14	#2	1/4"	5/8" (.625)	Brown
22-25-1	#2	1/4"	1"	Brown
22-38-1	#2	3/8"	1"	Brown
22-34	#2	1/4"	3/4" (.75)	Brown

# Grounding



## One Hole Lugs No Inspection Window

Copper lugs are connecting devices used primarily for terminating and joining cable and wire conductors in electrical installations and equipment.

Manufactured from high conductivity copper which is tin plated to prevent corrosion.

These lugs are used for severe-duty applications and have thicker walls for greater strength and conductivity.

UL Listed and CSA certified.

Customized labels, color printing, size and so on.

### Function Description

Material	Tinned copper
Temperature	-40--+85 °C
Salt spray	720h
UV resistance	720h
Certification	UL



Item	Gauge	Stud Size	Color Code
8-14	#8	1/4"	Red
6-14	#6	1/4"	Blue
6-516	#6	5/16"	Blue
6-38	#6	3/8"	Blue
2S-38	2 Solid, #3, #4	3/8"	Grey
2-14	#2	1/4"	Brown
2-516	#2	5/16"	Brown
2-38	#2	3/8"	Brown

# Grounding



## 90 Degree(Right Angle) Lugs

Copper lugs are connecting devices used primarily for terminating and joining cable and wire conductors in electrical installations and equipment.

Manufactured from high conductivity copper which is tin plated to prevent corrosion.

These lugs are used for severe-duty applications and have thicker walls for greater strength and conductivity.

UL Listed and CSA certified.

Customized labels, color printing, size and so on.

### Function Description

Material	Tinned copper
Temperature	-40--+85 °C
Salt spray	720h
UV resistance	720h
Certification	UL



Item	Gauge	Stud Size	Hole Spacing	Color Code
8-14R	#8	1/4"	1 Hole, No Inspection Window	Red
i6-14R	#6	1/4"	1 Hole, with Inspection Window	Blue
i22-14R	#2	1/4"	2 Hole, with Inspection Window, 5/8" Hole Spacing	Brown
22-34R	#2	1/4"	2 Hole, No Inspection Window, 3/4" Hole Spacing	Brown
22-14R	#2	1/4"	2 Hole, No Inspection Window, 5/8" Hole Spacing	Brown

## Barrel Splices Lugs



Copper lugs are connecting devices used primarily for terminating and joining cable and wire conductors in electrical installations and equipment.

Manufactured from high conductivity copper which is tin plated to prevent corrosion.

These lugs are used for severe-duty applications and have thicker walls for greater strength and conductivity.

UL Listed and CSA certified.

Customized labels, color printing, size and so on.

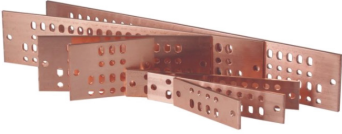
### Function Description

Material	Tinned copper
Temperature	-40--+85 °C
Salt spray	720h
UV resistance	720h
Certification	UL



Item	Gauge	Stud Size	Color Code
BS	#8	2-1/4"	Red
BS6	#6	2-1/4"	Blue
BS2S	2 Solid, #3, #4	2-3/8"	Grey
BS2	#2	2-1/2"	Brown

# Grounding



## Copper Bars

The buss bar is designed to provide centralized grounding lug connections for multiple transmission lines and provide reliable lightning protection.

Copper or tinned versions available.

Custom patterns and hole sizes available.

---

### Function Description

Material	copper
Temperature	-40--+85 °C
Certification	ROHS

---

Item	Description
GBU1426	Universal Copper Ground Bar,2"*6"
GBU14210	Universal Copper Ground Bar,2"*10"
GBU14212	Universal Copper Ground Bar,2"*12"
GBU14214	Universal Copper Ground Bar,2"*14"
GBU1446	Universal Copper Ground Bar,4"*6"
GBU1448	Universal Copper Ground Bar,4"*8"
GBU14412	Universal Copper Ground Bar,4"*12"
GBU14414	Universal Copper Ground Bar,4"*14"
GBU14420	Universal Copper Ground Bar,4"*20"
GBU14424	Universal Copper Ground Bar,4"*24"

## Grounding



### Tinned Copper Bars

The buss bar is designed to provide centralized grounding lug connections for multiple transmission lines and provide reliable lightning protection.

Copper or tinned versions available.

Custom patterns and hole sizes available.

---

#### Function Description

Material	tinned copper
Salt spray	720h
Temperature	-40--+85 °C
Certification	ROHS

---

Item	Description
GBU1426-T	Universal Tinned Ground Bar,2"*6"
GBU14210-T	Universal Tinned Ground Bar,2"*10"
GBU14212-T	Universal Tinned Ground Bar,2"*12"
GBU14214-T	Universal Tinned Ground Bar,2"*14"
GBU1446-T	Universal Tinned Ground Bar,4"*6"
GBU1448-T	Universal Tinned Ground Bar,4"*8"
GBU14412-T	Universal Tinned Ground Bar,4"*12"
GBU14414-T	Universal Tinned Ground Bar,4"*14"
GBU14420-T	Universal Tinned Ground Bar,4"*20"
GBU14424-T	Universal Tinned Ground Bar,4"*24"

# Grounding



## BBHK

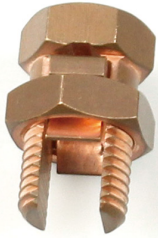
Bus Bar Hardware kits allow all sizes of buss bars to be secured in virtually any application.  
 Stainless steel attachment hardware.  
 Glass reinforced polyester insulators.  
 Galvanized shelter brackets.  
 Available in aluminum, galvanized, and stainless steel finishes.

### Function Description

Material	steel
Temperature	-40--+85 °C
Certification	ROHS

Item	Description
BB-HK	Bus Bar Hardware Kit
BB-HK-TD	Theft Deterrent Hardware Kit—4-3/8" x 3/4" Bolts with Tool
BB-HK-TOWER	Bus Bar Hardware Kit for Tower Mounting - No Brackets
BB-HK-SHELTER	Insulated Buss Bar Hardware Kit for Shelter
BB-HK-ISO	19 Rack Mounting Hardware Kit, Includes (2) 2" x 7/8" Insulators (4) 1/4" x 3/4" Pan Head Screws (4) ☒ Nylon Bushing
BB-HK-ISO-2	19 Rack Mounting Hardware Kit, Includes (2) 3-1/2" x 7/8" Insulators (4) 1/4" x 3/4" Pan Head Screws (4) ☒ Nylon Bushing

## Grounding



### Copper Split Bolts

UL Listed and CSA Certified.

Hard drawn copper.

See Wire Ranges.

#### Function Description

Material	copper
Temperature	-40--+85 °C
Certification	ROHS

Item	Description
IK-2	Copper Split Bolt,#2 to #6 Solid



### P Clips

A molded cushion reduces vibration and wear from clamp edges, plus provides a tighter fit around material than standard vibration-damping loop clamps.

Clamps surround lines completely while holding them close to the mounting surface.

#### Function Description

Material	steel & EPDM
Temperature	-40--+85 °C
Certification	ROHS

Item	Description
PCLIP-1414-EA	1/4" Insulated Stainless Steel P-Clips, 1/4" Mounting Hole
PCLIP-1412-EA	1/2" Insulated Stainless Steel P-Clips, 1/4" Mounting Hole
PCLIP-1438-EA	3/8" Insulated Stainless Steel P-Clips, 1/4" Mounting Hole
PCLIP-3814-EA	1/4" Insulated Stainless Steel P-Clips, 3/8" Mounting Hole

## Weatherproofing



### Gel Seal Closure

Innovative pin structure makes installation finished in seconds.

Reusable brings down the maintenance cost.

Simple installation reduces the man-made operation mistake.

Good weather resistant, UV & Corrosion & Shock resistant.

Pass strict tests from labs.

Have good feedback from long-term practical application.

Require no special tools or materials for installation.

Quick and simple installation makes the operators safer on the high tower.

#### Function Description

Material	PC & seal
UV resistance	720h
Temperature	-40--+85 °C
Waterproofing	IP68
Certification	ROHS

Item	Description
EN-12-ANT	1/2" Jumper to Antenna Gel Seal Slimline Enclosure
EN-12-78	1/2" to 7/8" Hardline Gel Seal Slimline Enclosure
EN-12-158	1/2" to 1-5/8" Hardline Gel Seal Slimline Enclosure
EN-MDMD	Mini DIN Slimline Enclosure 4.3-10 Connection

05

### Cold Shrink Tube



No tools are necessary for installation.

Safer and quicker installation.

Reliable sealing and easy to remove.

The shrinking process is done by simply unwinding a removable core.

#### Function Description

Material	Silicone
UV resistance	720h
Temperature	-40--+85 °C
Waterproofing	IP67
Certification	ROHS

Item	Description
CS-1278	Cold Shrink Kit, 1/2" to 7/8" Antenna & Device
SDL-1A-125	Cold Shrink; Silicone Rubber for 1/2" to 1-1/2" Connections
SDL-DC-152	Cold Shrink; Silicone Rubber for 3/8" to 7/8" Connections
CS-15878	Universal Cold Shrink 7/8" to 7/8" and 1/2" through 7/8"
CS-145	Cold Shrink Kit, 1/4" Superflex Coax, 28.75MM Pre-Shrink ID, 7MM Post-Shrink ID



## Weatherproofing



### Heat Shrink

Used for wire connection, wire end treatment, solder joint protection, wire harness identification, insulation protection of resistance and capacitor, surface protection of fitness equipment parts and steel structure, rust and corrosion prevention treatment of metal rods or pipes, identification of wires and other products.

#### Function Description

Material	PE
UV resistance	720h
Waterproofing	IP67
Temperature	-40---+85 °C
Certification	UL,ROHS



#### Heat Shrink:100' Rolls,2:1 Ratio

Item	Description	Packing
HS-0.25-BLK-SP	.25" Thinwall.Black.2:1Ratio	1roll
HS-0.25-CLR-SP	.25" Thinwall.Clear.2:1Ratio	1roll
HS-.375-BLK-SP	3/8" Thinwall.Black.2:1Ratio	1roll
HS-.375-CLR-SP	3/8" Thinwall.Clear.2:1Ratio	1roll
HS-.5-BLK-SP	.50" Thinwall.Black.2:1Ratio	1roll
HS-.5-CLR-SP	.50" Thinwall.Clear.2:1Ratio	1roll
HS-1.0-BLK-SP	1.0" Thinwall.Black.2:1Ratio	1roll
HS-1.0-CLR-SP	1.0" Thinwall.Clear.2:1Ratio	1roll
HS-.75-BLK-SP	3/4" Thinwall.Black.2:1Ratio	1roll
HS-.75-CLR-SP	3/4" Thinwall.Clear.2:1Ratio	1roll

#### Heat Shrink:48" Sticks,3:1 Ratio with Adhesive

Item	Description	Packing
HS-.25-BLK	.25"light Duty w/adhesive.Black.3:1Ratio	1roll
HS-.50-BLK	.50"light Duty w/adhesive.Black.3:1Ratio	1roll
HS-.75-BLK	.75"light Duty w/adhesive.Black.3:1Ratio	1roll
HS-1.5-BLK	1.5"light Duty w/adhesive.Black.3:1Ratio	1roll
HS-.25-CLR	.25"light Duty w/adhesive.Clear.3:1Ratio	1roll
HS-.50-CLR	.50"light Duty w/adhesive.Clear.3:1Ratio	1roll
HS-1.5-CLR	1.5"light Duty w/adhesive.Clear.3:1Ratio	1roll

# Weatherproofing



## Electrical Tape

Provides electrical insulation for all wires and cables rated up to 600V. Also used in phase identification, color-coding of motor leads and piping systems and for marking safety areas.

### Function Description

Material	PVC
Color	black,white,red,green,yellow ...
Temperature	-40--+85 °C
UV resistance	720h
Certification	UL,ROHS



Item	Description
TAPE-1920	Electrical Tape,Black,3/4"*66',UL Listed
TAPE-5006	2" UL Listed Black Tape

05



## Butyl Rubber Rolls

Used for insulating, padding and sealing of objects that need to be protected from adverse environmental conditions.

### Function Description

Material	butyl
Temperature	-40--+85 °C
UV resistance	720h
Certification	UL,ROHS

Item	Description
BUTYL	Butyl Rubber Rolls, 2-1/2" x 24"
WK-U	Weatherproofing Kit, (6) Butyl, (2) 1/2" Tape, (1) 2" Tape
FT-TB	Silicone Self-Fusing Tape, 1.5" X 10' , Black, 20 mil

## Weatherproofing



### Self-Amalgamating Tape

KC71 is a self-amalgamating ethylene propylene rubber (EPR) tape used on solid dielectric cable for electrical insulation and jacketing in splices up to 69 kV and for building stress cones in termination up to 35 kV. The tape comes with a separator that is removed during the taping process.

It is 0,76mm thickness and quick amalgamation facilitates a rapid, void free insulation build-up that is electrically stable and moisture proof.

KC71 is suitable for use with conductors rated at 90° C with an emergency overload rating of 130° C. The tape is also resistant to corrosion, chemicals and ultra violet light.

---

### Function Description

Material	EPR
Tensile strength	2.95 MPa
Elongation at break	880%
Dielectric strength	≥31.32KV/mm
Certification	ROHS

---

Item	Description	Packing
KC71	Black,19mm*0.76mm*9.1m	1 roll
KC71	Black,25mm*0.76mm*5m	1 roll

## Hoisting Grip



### Pre-Laced Hoisting Grips

Support Grips distribute the weight of vertical drops and sloping runs over the length of the grip to protect the cable from damage.

A variety of hanging styles are available to service numerous cable support installation.

#### Function Description

Material	steel
Temperature	-40--+85 °C
Certification	ROHS

Item	Description
HG-PL-14	1/4" Pre-Laced Hoisting Grip
HG-PL-38	3/8" Pre-Laced Hoisting Grip
HG-PL-12	1/2" Pre-Laced Hoisting Grip
HG-PL-58	5/8" Pre-Laced Hoisting Grip
HG-PL-78	7/8" Pre-Laced Hoisting Grip
HG-PL-114	1-1/4" Pre-Laced Hoisting Grip
HG-PL-158	1-5/8" Pre-Laced Hoisting Grip
HG-PL-214	2-1/4" Pre-Laced Hoisting Grip

### Lace-Up Hoisting Grips

Support Grips distribute the weight of vertical drops and sloping runs over the length of the grip to protect the cable from damage.

A variety of hanging styles are available to service numerous cable support installation.

#### Function Description

Material	steel
Temperature	-40--+85 °C
Certification	ROHS

Item	Description
HG-14	1/4" Lace-Up Hoisting Grip
HG-38	3/8" Lace-Up Hoisting Grip
HG-12	1/2" Lace-Up Hoisting Grip
HG-58	5/8" Lace-Up Hoisting Grip
HG-78	7/8" Lace-Up Hoisting Grip
HG-114	1-1/4" Lace-Up Hoisting Grip
HG-158	1-5/8" Lace-Up Hoisting Grip
HG-214	2-1/4" Lace-Up Hoisting Grip



## Cable Entry Boot & Panel



### Entry Panel

Entry Panels create an excellent seal against moisture while providing a support point for cable entering radio cabinets or shelters.

Provides effective seal against the ingress of dust and moisture when used with boot assemblies.

Entry caps included.

Hardware included.

### Function Description

Metal material	AL
Rubber material	EPDM
Temperature	-40--+85 °C
UV resistance	720h
Certification	ROHS

Item	Description
EPP-1*1A	1 Port Panel 5"*5"
EPP-1*1B	1 Port Panel 7"*7"
EPP-1*2	2 Port Panel 1' 3-1/2"*9-1/2"
EPP-1*3	3 Port Panel 1' 8"*9-1/2"
EPP-1*4	4 Port Panel 2' 1-1/2"*9-1/2"
EPP-1*6	6 Port Panel 3' 1/2"*9-1/2"
EPP-2*2A	4 Port Panel 11"*11"
EPP-2*2B	4 Port Panel 1' 5-1/2"*1' 5-1/2"
EPP-2*3	6 Port Panel 1' 11"*1' 5-1/2"
EPP-2*4	8 Port Panel 2' 1-1/2"*1' 5-1/2"
EPP-2*6	12 Port Panel 3' 3-1/2"*1' 5-1/2"
EPP-3*3	9 Port Panel 1' 11"*1' 11"
EPP-3*4	12 Port Panel 2' 1-1/2"*2' 1-1/2"
EPP-4*4	16 Port Panel 2' 1-1/2"*2' 1-1/2"
EPP-4*6	24 Port Panel 3' 2-1/2"*2' 7"
EPP-6*6	36 Port Panel 3' 3-1/2"*3' 5-1/2"

## Cable Entry Boot & Panel



### Cushion Insert

Entry Boot Cushions can be combined with 4" or 5" boots to create boot assemblies or with round member adapters to create cushion hangers.

For use with 4" and 5" Entry Boots.

Custom sizes available.

Manufactured from UV resistant EPDM rubber.

### Function Description

Material	EPDM
Temperature	-40--+85 °C
UV resistance	720h
Certification	ROHS

Item	Description
CI-1-38	4" Cushion Insert,1 Hole for 3/8"
CI-3-38	4" Cushion Insert,3 Hole for 3/8"
CI-1-12	4" Cushion Insert,1 Hole for 1/2"
CI-2-12	4" Cushion Insert,2 Hole for 1/2"
CI-3-12	4" Cushion Insert,3 Hole for 1/2"
CI-4-12	4" Cushion Insert,4 Hole for 1/2"
CI-9-12	4" Cushion Insert,9 Hole for 1/2"
CI-1-58	4" Cushion Insert,1 Hole for 5/8"
CI-1-78	4" Cushion Insert,1 Hole for 7/8"
CI-2-78	4" Cushion Insert,2 Hole for 7/8"
CI-3-78	4" Cushion Insert,3 Hole for 7/8"
CI-4-78	4" Cushion Insert,4 Hole for 7/8"
CI-1-114	4" Cushion Insert,1 Hole for 1-1/4"
CI-1-158	4" Cushion Insert,1 Hole for 1-5/8"
CI-1-214	4" Cushion Insert,1 Hole for 2-1/4"
CI-12-2-PC1	4" Cushion Insert,3 Hole,2*18mm&1*10mm,w/plugs
CI-B	4" Cushion Insert,Solid Insert(No Hole)

## Cable Entry Boot & Panel



### Boot Assembly

Available in both 4" and 5" sizes. Compatible with all standard entry boot cushions.  
 Manufactured from UV resistant EPDM rubber.  
 Seals against moisture and dust ingress.  
 Custom insert cushions available.  
 Hose Clamps Included.

#### Function Description

Metal material	SS304
Rubber material	EPDM
Temperature	-40--+85 °C
UV resistance	720h
Salt spray	720h
Certification	ROHS

Item	Description
EPP-CAP	Entry Port Panel Cap 4"
EPP-CAP5	Entry Port Panel Cap 5"



### Plug

Cushion plugs seal unused holes in entry boot cushions.  
 Manufactured from UV resistant EPDM rubber.

#### Function Description

Material	EPDM
Temperature	-40--+85 °C
UV resistance	720h
Certification	ROHS

Item	Description
PLUG-38	3/8" Insert Plugs
PLUG-12	1/2" Insert Plugs
PLUG-78	7/8" Insert Plugs
PLUG-114	1-1/4" Insert Plugs
PLUG-158	1-5/8" Insert Plugs

# Cable Entry Boot & Panel



## Caps

Entry Panel Caps seal unused entry panel holes.  
Manufactured from UV resistant EPDM rubber.

---

### Function Description

Material	EPDM
Temperature	-40--+85 °C
UV resistance	720h
Certification	ROHS

---

Item	Description
EPP-CAP	Entry Port Panel Cap 4"
EPP-CAP5	Entry Port Panel Cap 5"



## Shelter Material



### Wax String

Waxed Twine, for Cable Lacing.

#### Function Description

Material	Polyester twine
Coating	wax
Stand count	9
Length	175 yards

Item	Description	Packing
P1000/9WAX	Wax String,9 Ply,585'	195 Yards



### Fiber Tag

Used in telecom and electrical installations when nonconductive cable labeling is desired.

#### Function Description

Color	Grey
Size	1"x 1-3/4" x 1/8"
Material	High Dielectric Fiber

Item	Description	Packing
FTAG-175	Fiber Tags, Gray, 1-3/4"*1"	Bag of 100
FTAG-175-WHT	Fiber Tags, White Nylon UL 94V0 FR, 1-3/4"*1"	Bag of 100



### Nylon Tag

Used in telecom and electrical installations when nonconductive cable labeling is desired.

#### Function Description

Color	White
Size	1" x 1-3/4" x 1/8"
Material	Nylon

Item	Description	Packing
FTWP145P	White Plastic, 145P Tag	Bag of 100

## Strut, Hardware and Other Accessories



### Pre-galvanized Strut

Used for the suspension of pipes, ducts, and equipment.  
They can be interconnected and secured using strut nuts.

#### Function Description

Material Type pre-galvanized Steel  
Temperature -40--+85 °C  
Certification ROHS

Item	Description	Packing
STRUT158	Strut, 1-5/8" x 10' , 1/2" X 1-1/2" Slot, Pre-Galvanized	1pcs
STRUT158L	Strut, 1-5/8" X 10, 1/2" X 1-1/2" Long Slot, Pre-Galvanized	1pcs



### Hot-dipped Strut

Used for the suspension of pipes, ducts, and equipment.  
They can be interconnected and secured using strut nuts.

#### Function Description

Material Type Steel  
Finish Hot Dip Galvanized  
Temperature -40--+85 °C  
Certification ROHS

Item	Description	Packing
STRUT158-HDG	Strut, 1-5/8" X 10' , 1/2" X 1-1/2" Slot, Hot-Dip Galvanized	1pcs
STRUT158L-HDG	Strut, 1-5/8" X 10' , 1/2" X 1-1/2" Slot, Hot-Dip Galvanized, Deep	1pcs



### Snap-in Strut

Used for the suspension of pipes, ducts, and equipment.  
They can be interconnected and secured using strut nuts.

#### Function Description

Material Type Steel  
Finish Hot Dip Galvanized  
Temperature -40--+85 °C  
Certification ROHS

Item	Description	Packing
VC-CST	Snap-In Strut, Galvanized, 10' , 3/4" and 1/2" Alternating Slots, Shallow	1pcs

## Strut, Hardware and Other Accessories



### Strut Straps

Used for strut to install cable.

#### Function Description

Material Type	stain steel
Salt spray	720h
Temperature	-40--+85 °C
Certification	ROHS

Item	Description	Packing
STRUTSTRAP12	Strut Strap; 1/2" ID	1pcs
STRUTSTRAP34	Strut Strap; 3/4" ID	1pcs
STRUTSTRAP1	Strut Strap; 1" ID	1pcs
STRUTSTRAP2	Strut Strap; 2" ID	1pcs
STRUTSTRAP212	Strut Strap; 2-1/2" ID	1pcs
STRUTSTRAP3	Strut Strap; 3" ID	1pcs
STRUTSTRAP4	Strut Strap; 4" ID	1pcs
STRUTSTRAP5	Strut Strap; 5" ID	1pcs
STRUTSTRAP6	Strut Strap;6" ID	1pcs

## Strut, Hardware and Other Accessories



### Strut Caps

Used for strut to protect the operator from metal scratch, and also play a warning and marking role.

#### Function Description

Material	PVC
Temperature	-40--+85 °C
Certification	ROHS

Item	Description	Packing
EC-R-158-RED	End Cap, Red for 1-5/8" Strut	1pcs
EC-W-158-WHITE	End Cap, White for 1-5/8" Stru	1pcs
EC-B-158-BLACK	End Cap, Black for 1-5/8" Strut	1pcs



### Spring Nut

Used for strut to install hardware.

#### Function Description

Material Type	stain steel
Salt spray	720h
Temperature	-40--+85 °C
Certification	ROHS

Item	Description	Packing
GSN-38	3/8" Galvanized Spring Nut	1pcs
SN-38	3/8" Stain steel Spring Nut	1pcs

## Strut, Hardware and Other Accessories

### U Bolts

Used for attaching piping, conduit and cylindrical items.

#### Function Description

Material	steel
Finish	Hot Dip Galvanized
Temperature	-40--+85 °C
Certification	ROHS

Item	Description	Packing
UB-3244	Galvanized U-Bolt Assembly, 3/8" x 2-1/2" x 4"	1pcs
UB-3355	Galvanized U-Bolt Assembly, 3/8" x 3-5/8" x 5-1/4"	1pcs
UB-4240	Galvanized U-Bolt Assembly, 1/2" x 2-1/2" x 4"	1pcs
UB-4352	Galvanized U-Bolt Assembly, 1/2" x 3" x 5-1/4"	1pcs



### Hardware

Used for attaching hanger, piping, conduit and cylindrical items, include threadrod, spring washer, flat washer and nut.

#### Function Description

Material	steel
Temperature	-40--+85 °C
Certification	ROHS

Item	Description	Packing
CH35	3/8" x 3-1/2" thread rods kit	1kit
CH50	3/8" x 5" thread rods kit	1kit
CH65	3/8" x 6-1/2" thread rods kit	1kit
CH80	3/8" x 8" thread rods kit	1kit
CH95	3/8" x 9-1/2" thread rods kit	1kit
CH120	3/8" x 12" thread rods kit	1kit

